

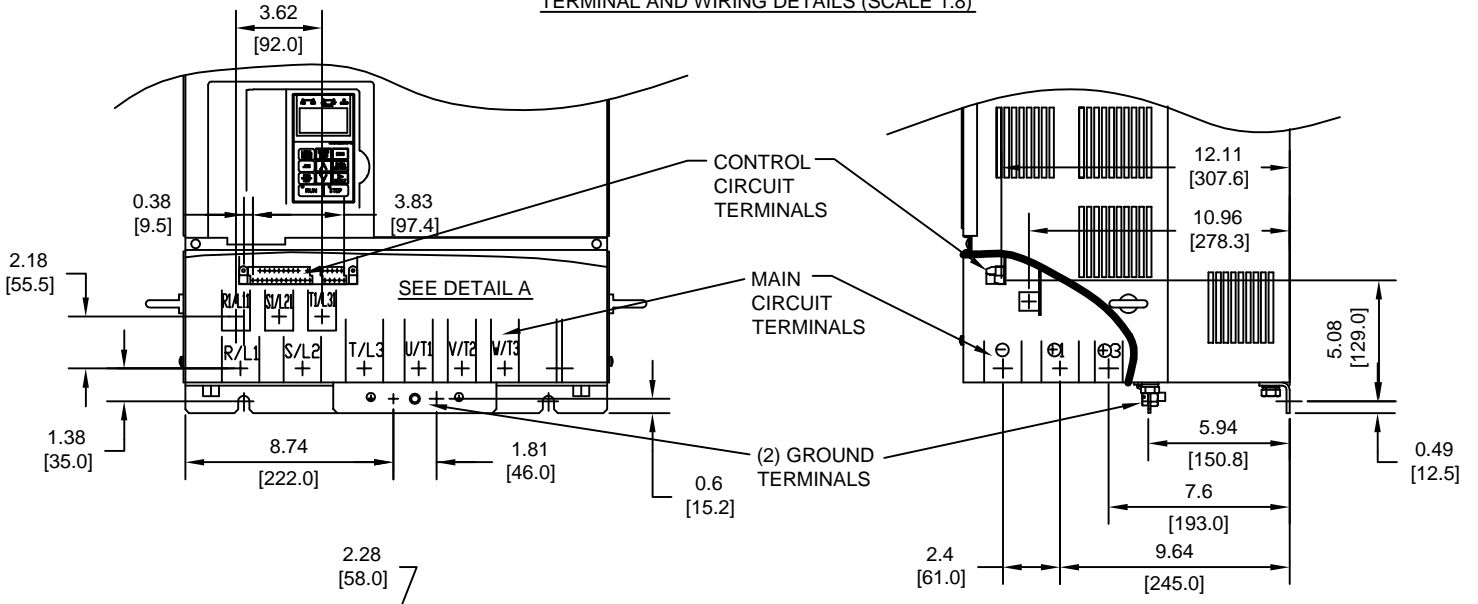
MODEL # CIMR-P7U	VOLTAGE (VAC)	OUTPUT CURRENT (A)	WEIGHT LBS (Kg)	HEAT LOSS (W)		
				INT	EXT	TOTAL
2055	208/230	215	189 (85.9)	619	1588	2207
2075		312	191 (86.8)	844	1956	2800
4075	480	156	194 (88.2)	562	1285	1847
4090		180	196 (89.1)	673	1614	2287

INT=INTERNAL COMPONENTS  
EXT=EXTERNAL HEATSINK

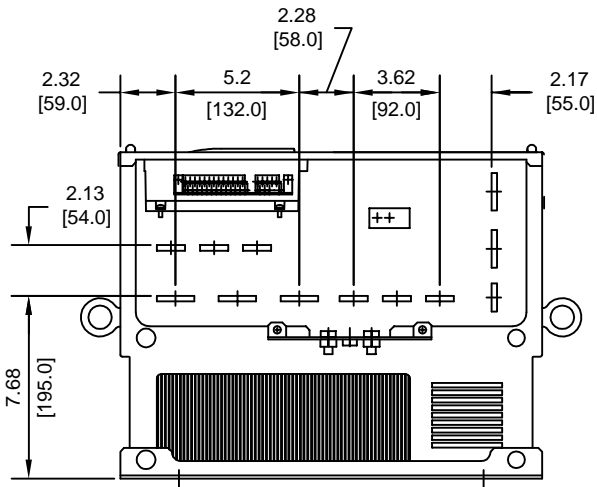
FOR ADDITIONAL DETAILS AND SPECIFICATIONS, CONSULT MANUAL

TOLERANCES/REFERENCES: -	<p><b>YASKAWA</b> A World of Automation Solutions™</p> <p><b>YASKAWA ELECTRIC AMERICA, INC.</b> Corporate Headquarters 2121 Norman Drive South Waukegan, IL 60085 1-800-YASKAWA http://www.yaskawa.com</p>	DRAWN: J. MATTAS	DATE 4-27-05	TITLE: P7 DIMENSION DRAWING		
		CHECKED: M. RUCINSKI	DATE 6-6-05	FRAME SIZE 10		
		TECH: J. CAIRO	DATE 4-28-05	IP00 ENCLOSURE		
UNITS: IN[mm]	SCALE: 1:10	APPROVED: T. SASADA	DATE 6-6-05	SIZE A	REVISION R00	PAGE 1 of 3
		ORIGINAL DESIGN: -	DATE -	DRAWING #: DD.P7.FR10.IP00.01		

TERMINAL AND WIRING DETAILS (SCALE 1:8)

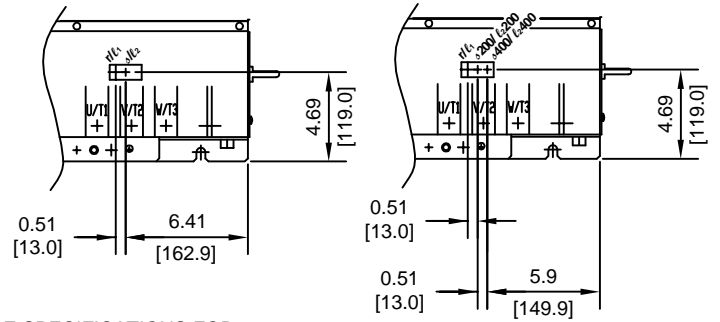


DETAIL A (SCALE 1:10)



MODELS P7U2055 AND P7U2075

MODELS P7U4075 AND P7U4090



TERMINAL AND WIRE SPECIFICATIONS FOR MAIN CIRCUIT AND GROUND

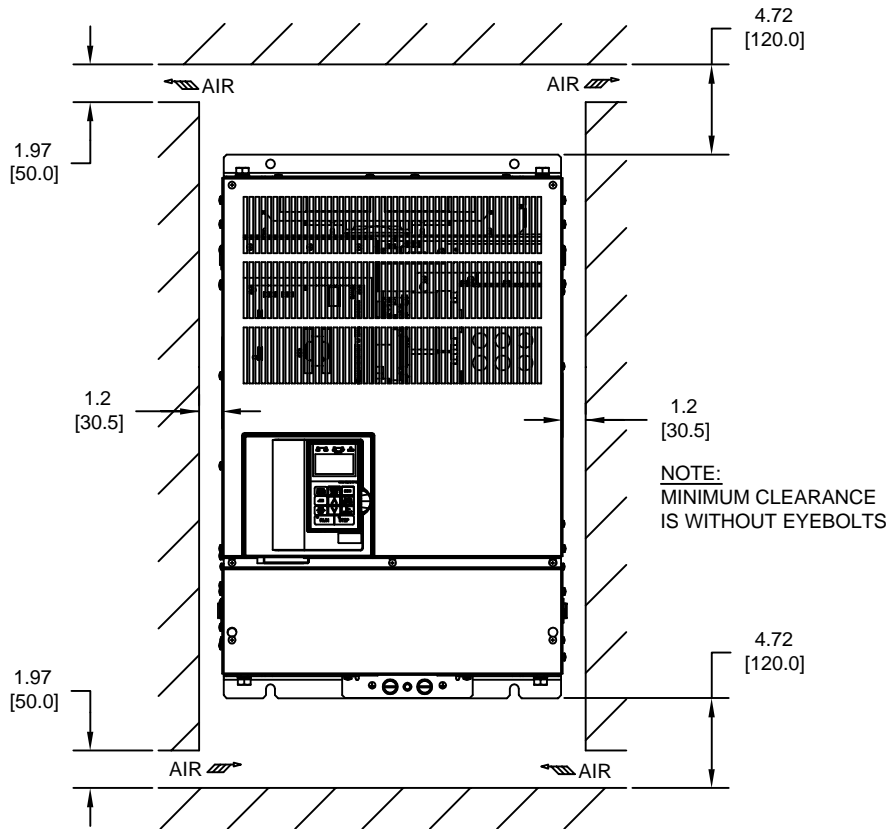
MODEL # CIMR-P7U	TERMINAL SYMBOL	TERMINAL SCREW	CLAMPING TORQUE lb.in.(N.m.)
2055	R/L1, S/L2, T/L3, ⊙, ⊕1, ⊕, U/T1, V/T2, W/T3, R1/L11, S1/L21, T1/L31	M10	155 TO 198 (17.6 TO 22.5)
	⊕3	M8	78.0 TO 95.0 (8.8 TO 10.8)
	rℓ1, sℓ2	M4	11.4 TO 12.3 (1.3 TO 1.4)
2075	R/L1, S/L2, T/L3, U/T1, V/T2, W/T3, R1/L11, S1/L21, T1/L31	M10	155 TO 198 (17.6 TO 22.5)
	⊕3	M8	78.0 TO 95.0 (8.8 TO 10.8)
	⊙, ⊕1, ⊕	M12	277 TO 345 (31.4 TO 39.2)
4075	R/L1, S/L2, T/L3, ⊙, ⊕1, ⊕, U/T1, V/T2, W/T3, R1/L11, S1/L21, T1/L31	M10	155 TO 198 (17.6 TO 22.5)
	⊕3	M8	78.0 TO 95.0 (8.8 TO 10.8)
	rℓ1, s200/ℓ2200, s400/ℓ2400	M4	11.4 TO 12.3 (1.3 TO 1.4)
4090	R/L1, S/L2, T/L3, ⊙, ⊕1, ⊕, U/T1, V/T2, W/T3, R1/L11, S1/L21, T1/L31	M10	155 TO 198 (17.6 TO 22.5)
	⊕3	M8	78.0 TO 95.0 (8.8 TO 10.8)
	rℓ1, s200/ℓ2200, s400/ℓ2400	M4	11.4 TO 12.3 (1.3 TO 1.4)

NOTE: REFER TO APPLICABLE CODES FOR PROPER WIRE TYPE AND SIZE

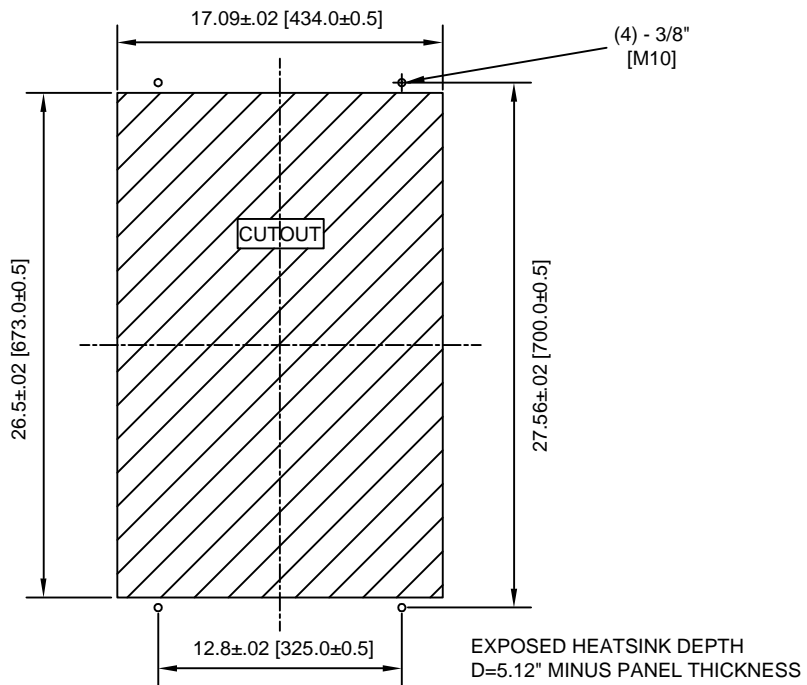
FOR ADDITIONAL DETAILS AND SPECIFICATIONS, CONSULT MANUAL

TOLERANCES/REFERENCES: - - - - -	<p><b>YASKAWA</b> A World of Automation Solutions™</p> <p>YASKAWA ELECTRIC AMERICA, INC. Corporate Headquarters 2121 Norman Drive South Waukegan, IL 60085 1-800-YASKAWA http://www.yaskawa.com</p>	DRAWN: J. MATTAS	DATE 4-27-05	TITLE: P7 DIMENSION DRAWING		
		CHECKED: M. RUCINSKI	DATE 6-6-05	FRAME SIZE 10		
		TECH: J. CAIRO	DATE 4-28-05	IP00 ENCLOSURE		
		APPROVED: T. SASADA	DATE 6-6-05	P7U2055 TO 2075, 4075 TO 4090		
UNITS: IN[mm]	SCALE: BY VIEW	ORIGINAL DESIGN: -	DATE -	SIZE A	REVISION R00	PAGE 2 of 3
			DRAWING #: <b>DD.P7.FR10.IP00.01</b>			


MINIMUM INSTALLATION CLEARANCES (SCALE 1:10)



PANEL CUTOUT FOR EXTERNAL HEATSINK MOUNTING CONFIGURATION (SCALE 1:10)



FOR ADDITIONAL DETAILS AND SPECIFICATIONS, CONSULT MANUAL

TOLERANCES/REFERENCES: -		 <b>YASKAWA</b> <i>A World of Automation Solutions™</i> <b>YASKAWA ELECTRIC AMERICA, INC.</b> Corporate Headquarters 2121 Norman Drive South Waukegan, IL 60085 1-800-YASKAWA <a href="http://www.yaskawa.com">http://www.yaskawa.com</a>	DRAWN: <b>J. MATTAS</b> DATE: <b>4-27-05</b>	TITLE: <b>P7 DIMENSION DRAWING</b>			
UNITS: IN[mm]	SCALE: BY VIEW		CHECKED: <b>M. RUCINSKI</b> DATE: <b>6-6-05</b>	TECH: <b>J. CAIRO</b> DATE: <b>4-28-05</b>	FRAME SIZE 10 IP00 ENCLOSURE P7U2055 TO 2075, 4075 TO 4090	SIZE <b>A</b>	REVISION <b>R00</b>
		APPROVED: <b>T. SASADA</b> DATE: <b>6-6-05</b>	ORIGINAL DESIGN: -	DATE: -	DRAWING #: <b>DD.P7.FR10.IP00.01</b>		